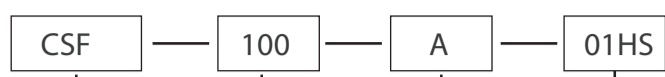


Codification:



Series	Size	Flange Material
CSF	100	A
		01HS
		^A Aluminum alloy
		AC Aluminum alloy with carbon steel bushing
		AS Aluminum alloy with stainless steel bushing
		AR Aluminum alloy with rubber
		S4 Stainless steel 304
		S6 Stainless steel 316

Rubber sleeve material & Working temperature		
01	Natural rubber	-10~70°C
^01HS	High tear resistance natural rubber	
01L	High resilience natural rubber	
01FB	Food grade black NR	
01FW	Food grade white NR	
01C	Conductive NR	-20~110°C
01S	Free of silicon NR	
02	EPDM	
02FB	Food grade black EPDM	-40~150°C
02FW	Food grade white EPDM	
03	Silicon rubber	-10~130°C
03F	Food grade silicon rubber	
04	Viton	-10~80°C
05	NBR	
05H	HNBR	

^Means : Default choice
 Default flange standard: DIN PN10, BS-EN-1092

Technical specification:

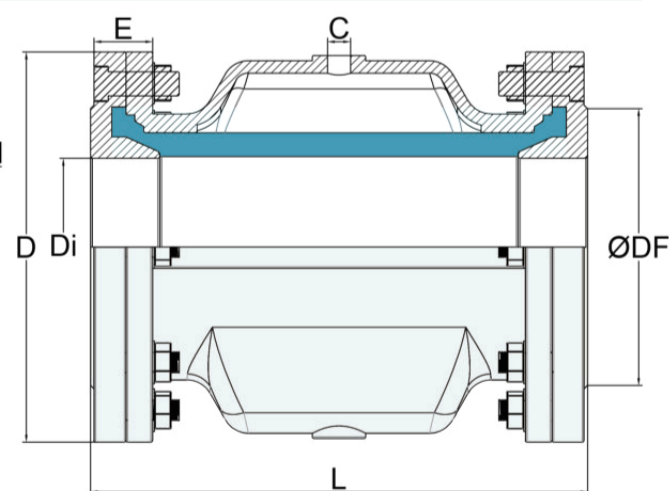
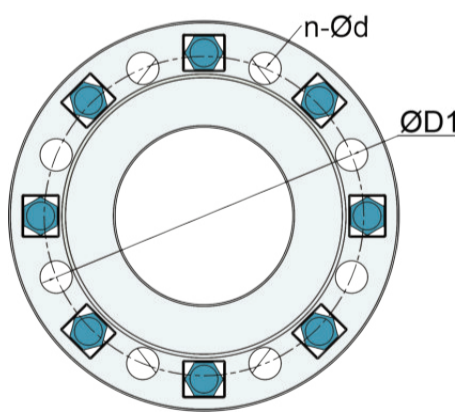
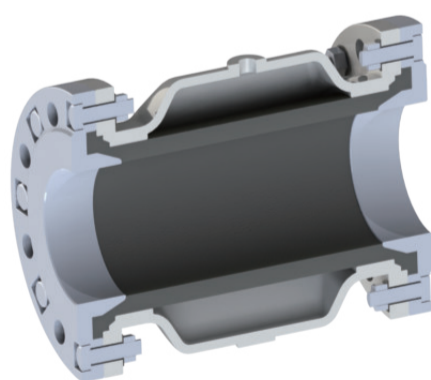
Features	
Design	Pneumatically actuated pinch valve
Sealing principle	Elastic lip seal
Mounting position	Any
Direction of flow	Reversible
Valve function	2/2 way, normally open
Reset method	Rebound resilience
Nominal pressure	PN10
Sleeve feature	Replaceable



Technical data		
Housing	Cast Aluminum alloy	
Socket	Cast Aluminum alloy or with CS or SS bushing	
Control pressure	DN50-DN150	Max 8 bar
	DN200	Max 6 bar
Operating pressure [*OP Max]	DN50-DN150	Max 6 bar
	DN200	Max 4 bar
Pressure difference [bar]	2.....3	
Optimum control pressure	Medium pressure+pressure difference	

Advantage		
* Compact design	* Free passage	* No plugging
* 100% shut off	* Quick open-close	* Anti-abrasive
* Food grade		

Application
For Pneumatic convey industry
* Powder industry: granual, epoxy painting, glass,plastic
* Chemical industry: acid,fuel,liquid,fertilizer
* Food industry: syrup, ice cream, milk,liquid food
* Others: dust, salt, water,slurry,waste,sludge



DN (mm)	D (mm)	φDF (mm)	n	φd (mm)	φD1 (mm)	L (mm)	C (inch)	E (mm)	GW (kg)	Volume (L**)	*OP Max(bar)
40	150	88	4	18	110	155	G 1/4"	26	3.2	0.20	6
50	165	102	4	18	125	183	G 1/4"	30	3.9	0.30	6
65	185	122	4	18	145	185	G 1/4"	28	4.8	0.45	6
80	200	138	8	18	160	228	G 1/4"	31	6.2	0.95	6
100	220	158	8	18	180	280	G 1/4"	35	9.6	1.70	6
125	250	184	8	18	210	348	G 1/4"	40	13.2	3.50	6
150	285	212	8	22	240	418	G 1/4"	43	19.1	7.00	6
200	340	268	8	22	295	558	G 3/8"	60	32.5	15.5	4

* Flange standrad: DIN PN10 , ASME B16.5 Class150lb, BS TABLE E.

** Volume: control volume with closed sleeve.